

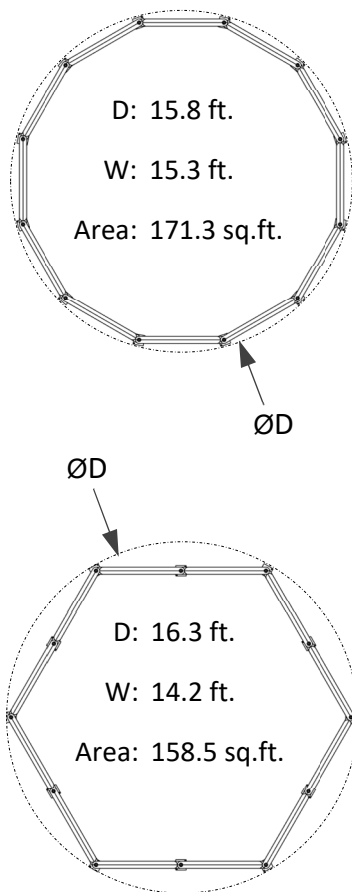
## INSTALL GUIDE

### SAFETY

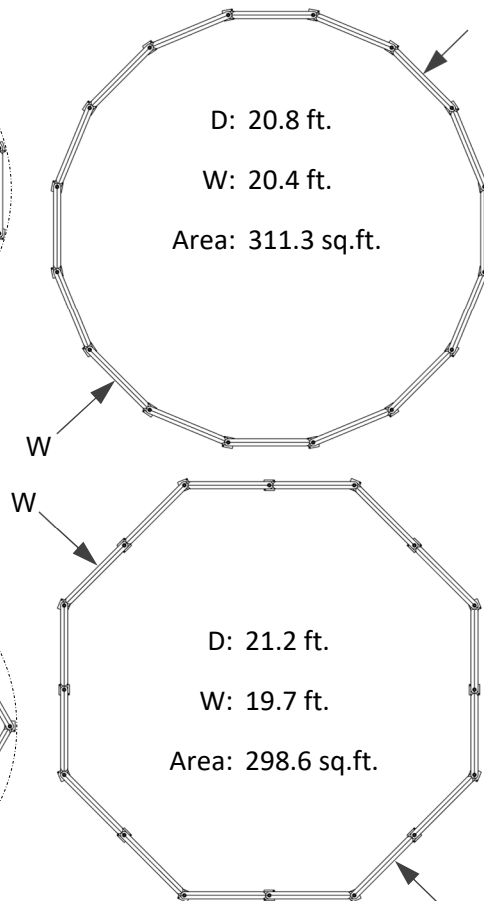
- Check to ensure that plans will meet local codes and guidelines
- Space equipment to ensure proper traffic flow and safe usage

### CONFIGURATIONS

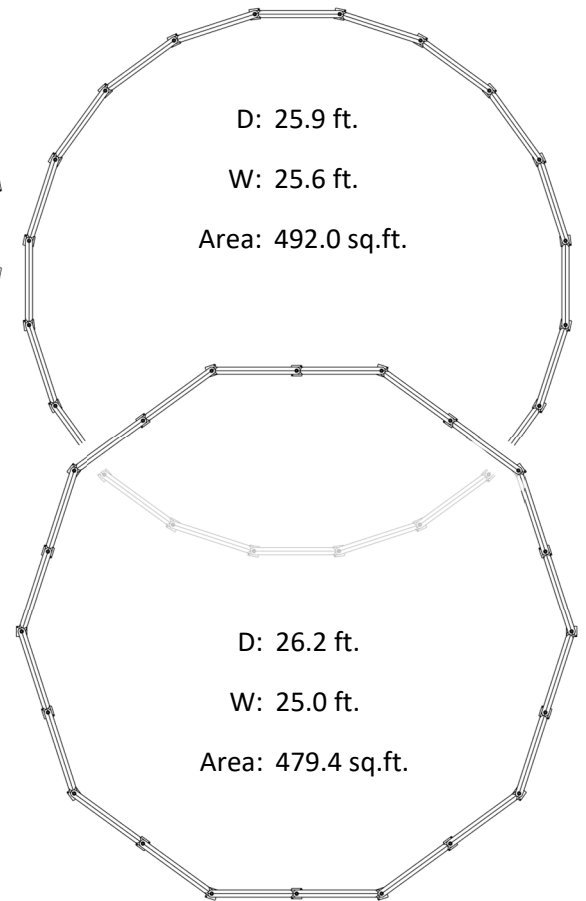
APS - GaGa Pit 15



APS - GaGa Pit 20



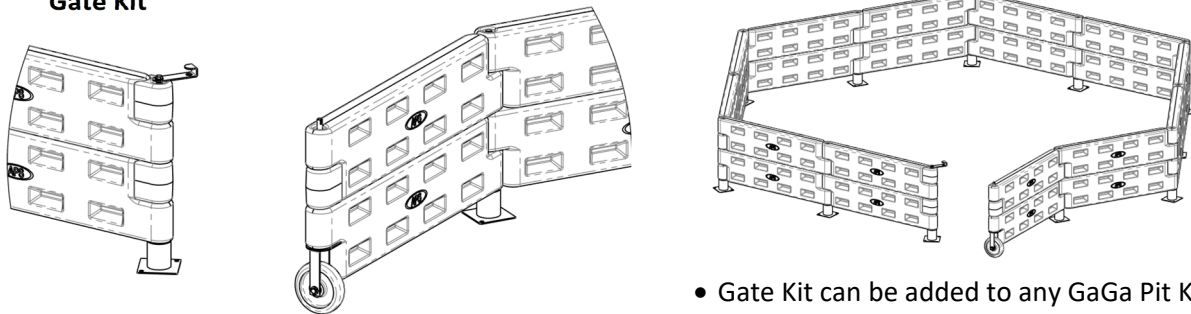
APS - GaGa Pit 26



## INSTALL GUIDE

### CONFIGURATIONS, Cont.

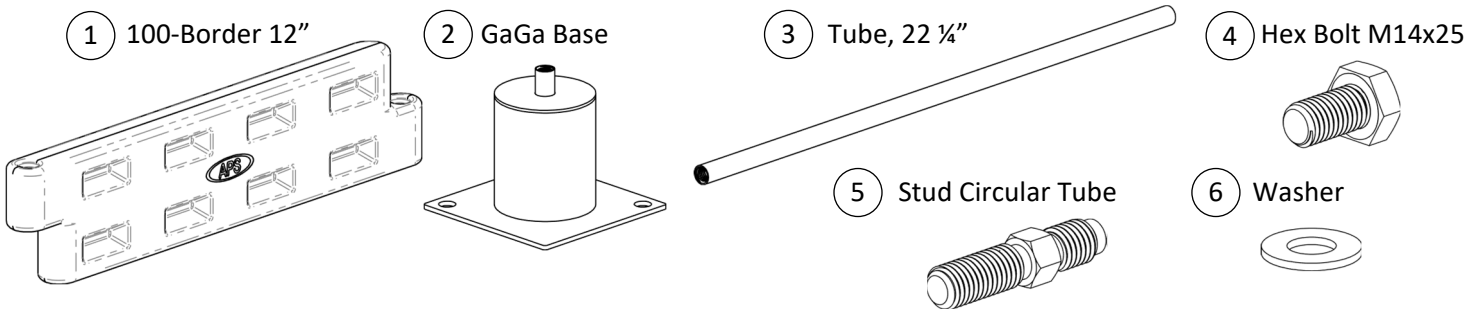
Gate Kit



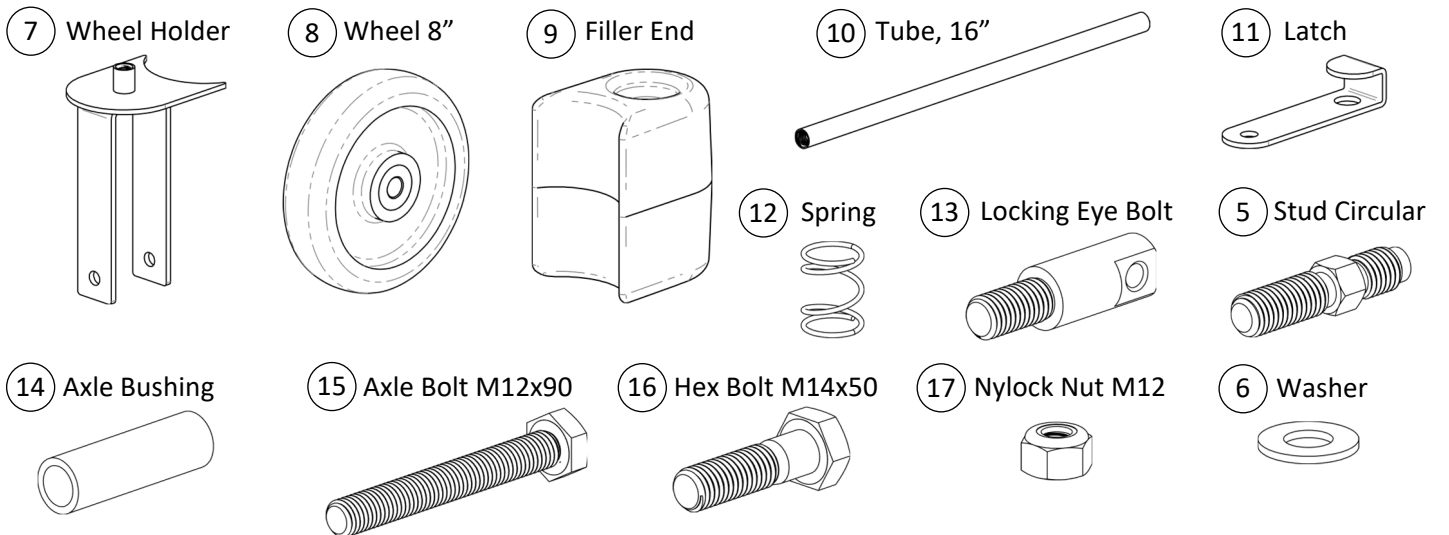
• Gate Kit can be added to any GaGa Pit Kit

### PACKAGE CONTENTS

#### GaGa Pit Components



#### GaGa Gate Components





# GAGA PIT

## INSTALL GUIDE

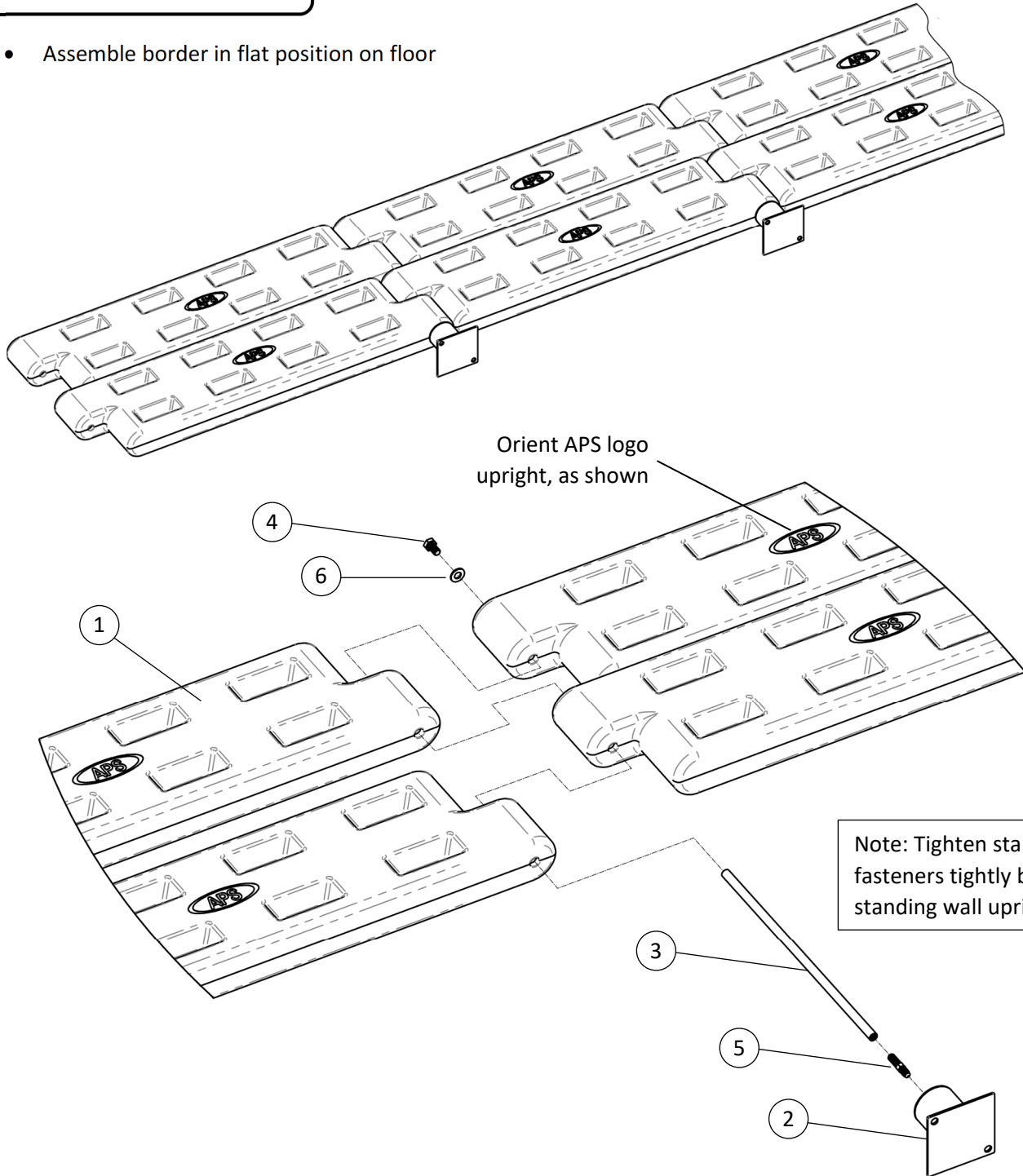
### ITEMS AND QUANTITIES

Item	Description	GaGa Pit 15	GaGa Pit 20	GaGa Pit 26	GaGa Gate
1	100-Border 12"	24	32	40	-
2	GaGa Base	12	16	20	-
3	Tube, 23 ¼"	12	16	20	-
4	Hex Bolt M14x25	12	16	20	-
5	Stud Circular Tube	12	16	20	1
6	Washer	12	16	20	7
7	Wheel Holder	-	-	-	1
8	Wheel, 8"	-	-	-	1
9	Filler End	-	-	-	3
10	Tube, 22 ¼"	-	-	-	1
11	Latch	-	-	-	1
12	Spring	-	-	-	1
13	Locking Eye Bolt	-	-	-	1
14	Axle Bushing	-	-	-	1
15	Axle Bolt M12x90	-	-	-	1
16	Hex Bolt M14x50	-	-	-	1
17	Nylock Nut M12	-	-	-	1

## INSTALL GUIDE

### GAGA PIT PANEL ASSEMBLY

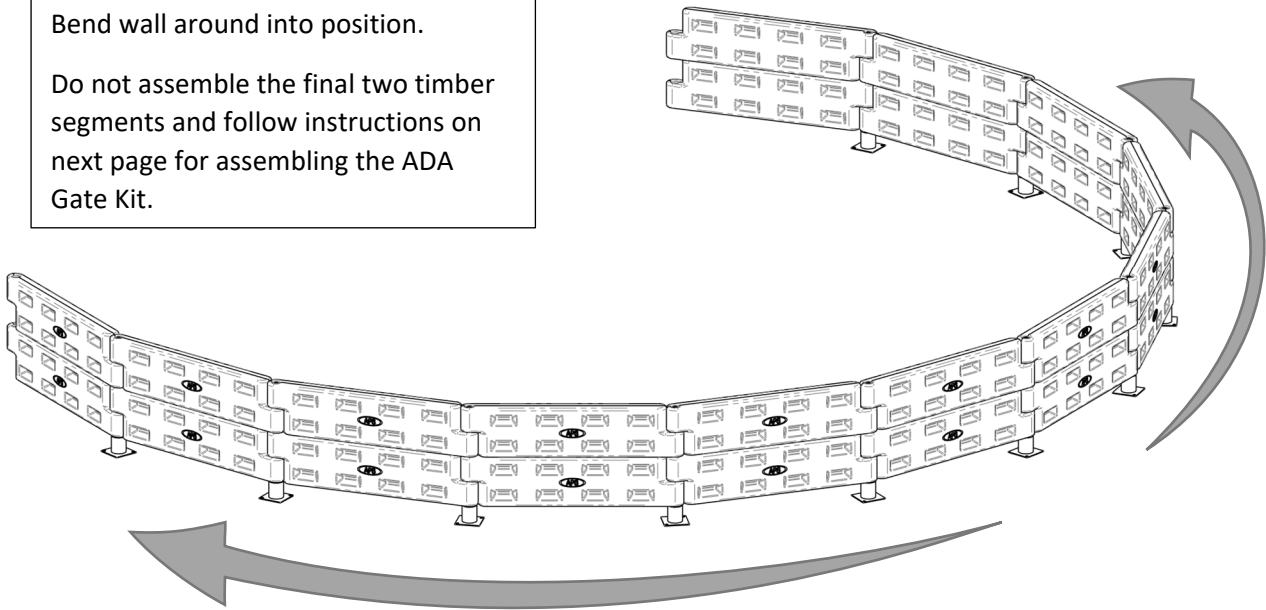
- Assemble border in flat position on floor



## INSTALL GUIDE

### GAGA PIT PANEL ASSEMBLY, cont.

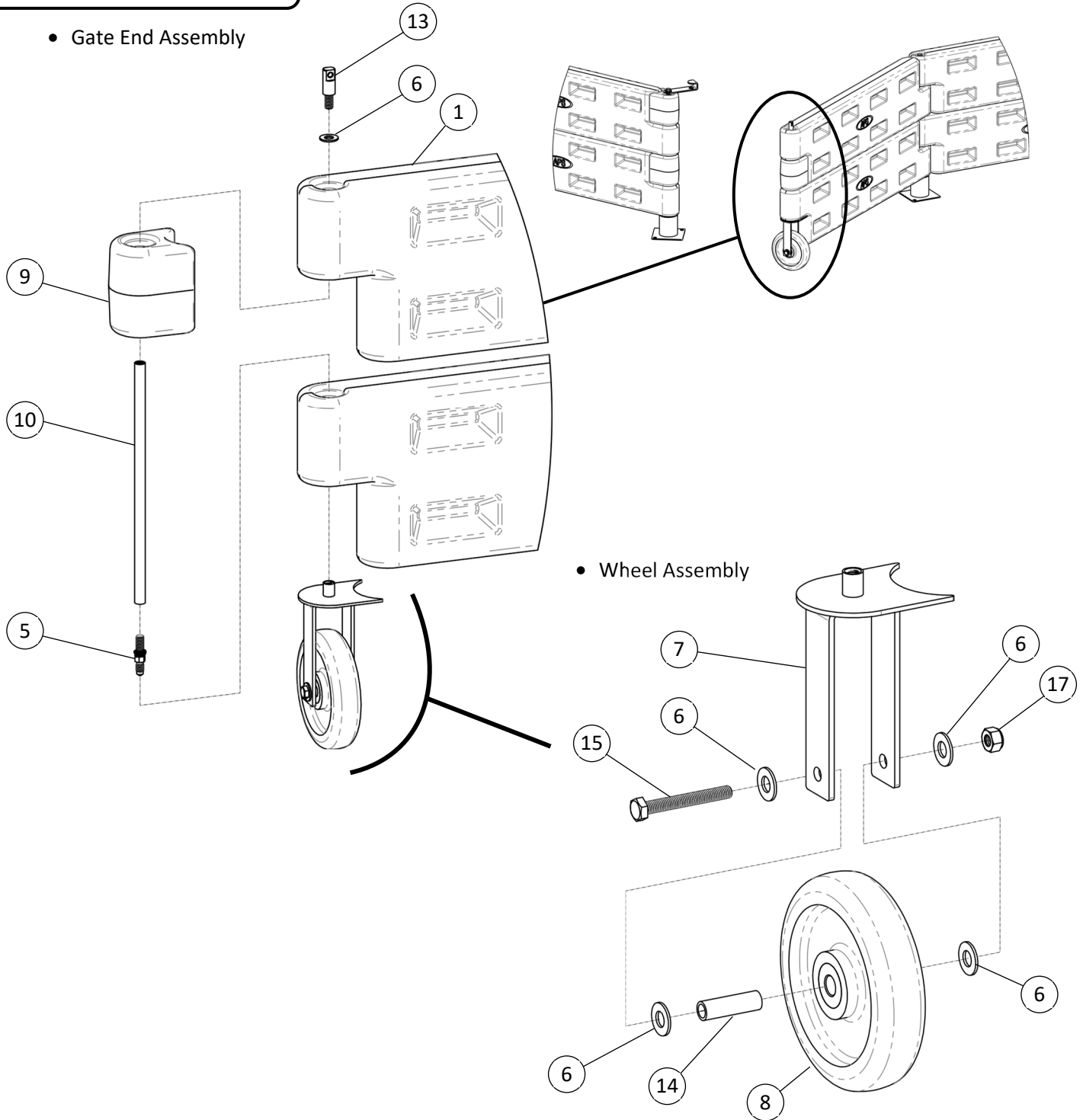
Bend wall around into position.  
Do not assemble the final two timber segments and follow instructions on next page for assembling the ADA Gate Kit.



## INSTALL GUIDE

### ADA GATE ASSEMBLY

- Gate End Assembly



## INSTALL GUIDE

### ADA GATE ASSEMBLY, cont.

- Border End Assembly

Note: Bolt (16) has thread locking adhesive applied. Do not substitute any other bolt.

